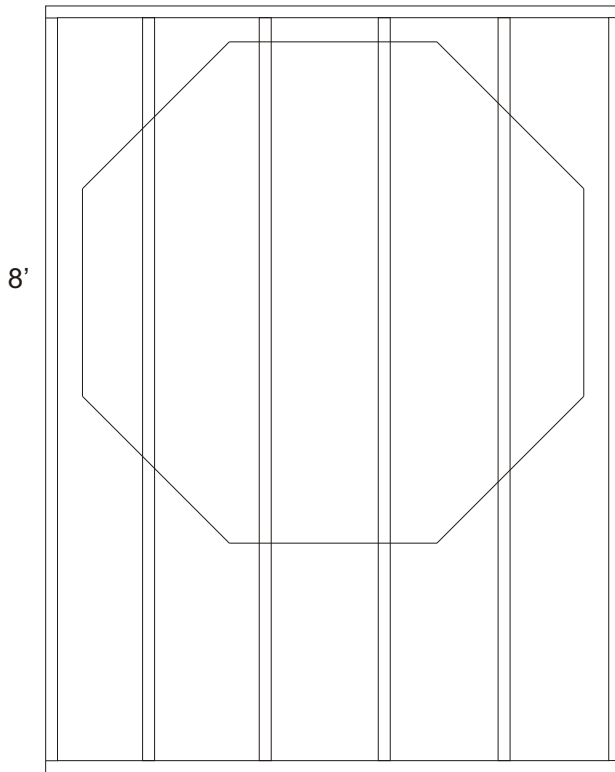


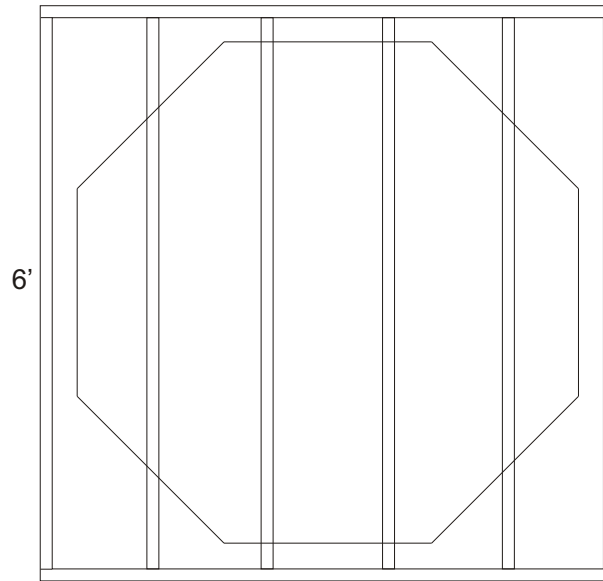
GhostBlind Octagon DIY Kit Platform Ideas

Below are suggested shapes if you wish to build a platform for your Octagon Blind Kit. You are responsible to make sure you comply with any or all building and safety codes for your area. We do not recommend any building materials or take any responsibility for your safety.

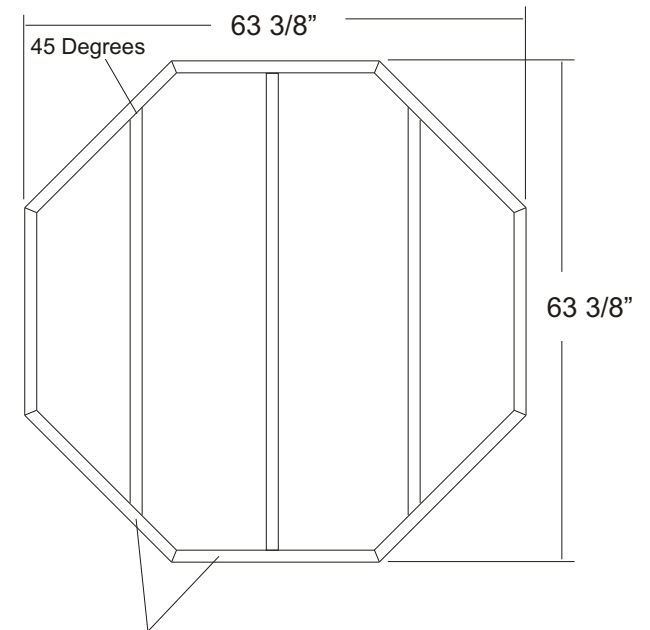
6' x 8' Rectangle
6'



6' x 6' Square
6'



Octagon (8 sides)



8 outside perimeter boards all cut the same
26.25" long point to long point
22.5 degree angles

